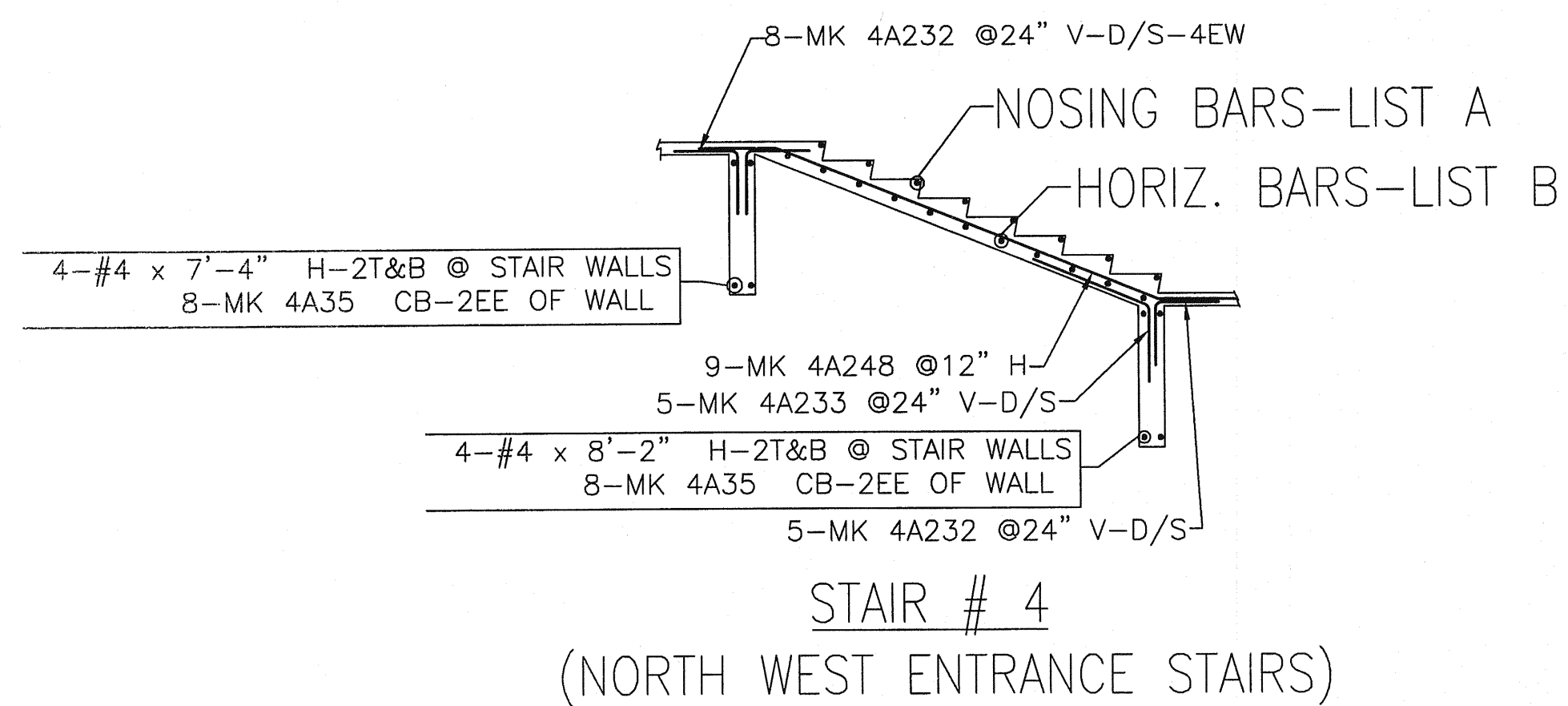


WALL W105
WALL W106
STAIR # 4
(NORTH WEST ENTRANCE STAIRS)

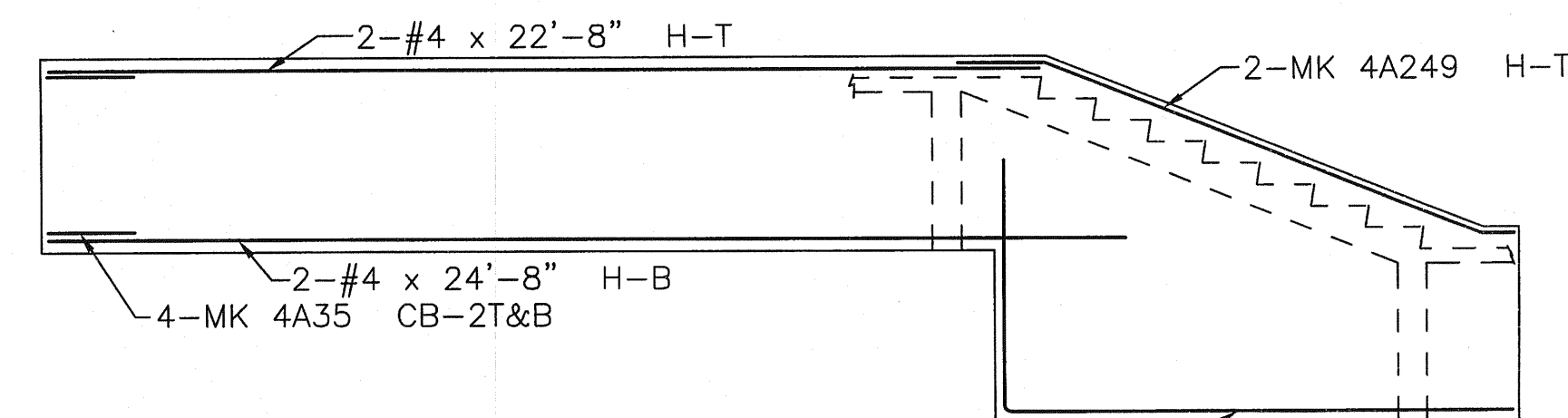


NOSING BARS-LIST A

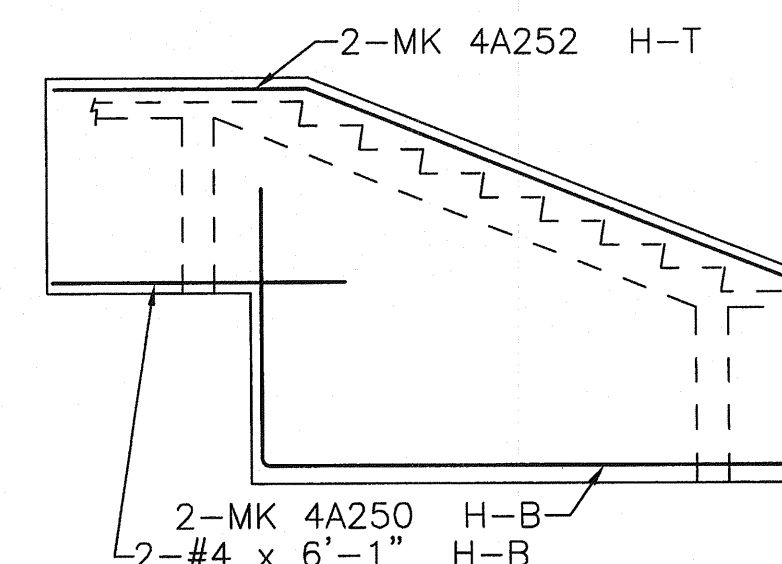
- 1-#4 x 7'-4" 8-#4 CONT-H-NOSING BARS
- 1-#4 x 7'-5" PL T TO B
- 1-#4 x 7'-6"
- 1-#4 x 7'-7"
- 1-#4 x 7'-8"
- 1-#4 x 7'-9"
- 1-#4 x 7'-10"
- 1-#4 x 7'-11"
- 16-MK 4A35 CB-8EE

HORIZ. BARS-LIST B

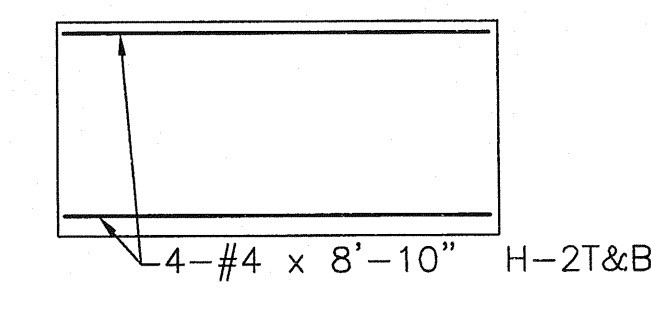
- 2-#4 x 7'-4" 11-#4 CONT-H-NOSING BARS
- 1-#4 x 7'-5" PL T TO B
- 2-#4 x 7'-6"
- 1-#4 x 7'-7"
- 1-#4 x 7'-8"
- 1-#4 x 7'-9"
- 2-#4 x 7'-10"
- 1-#4 x 7'-11"
- 22-MK 4A35 CB-11EE



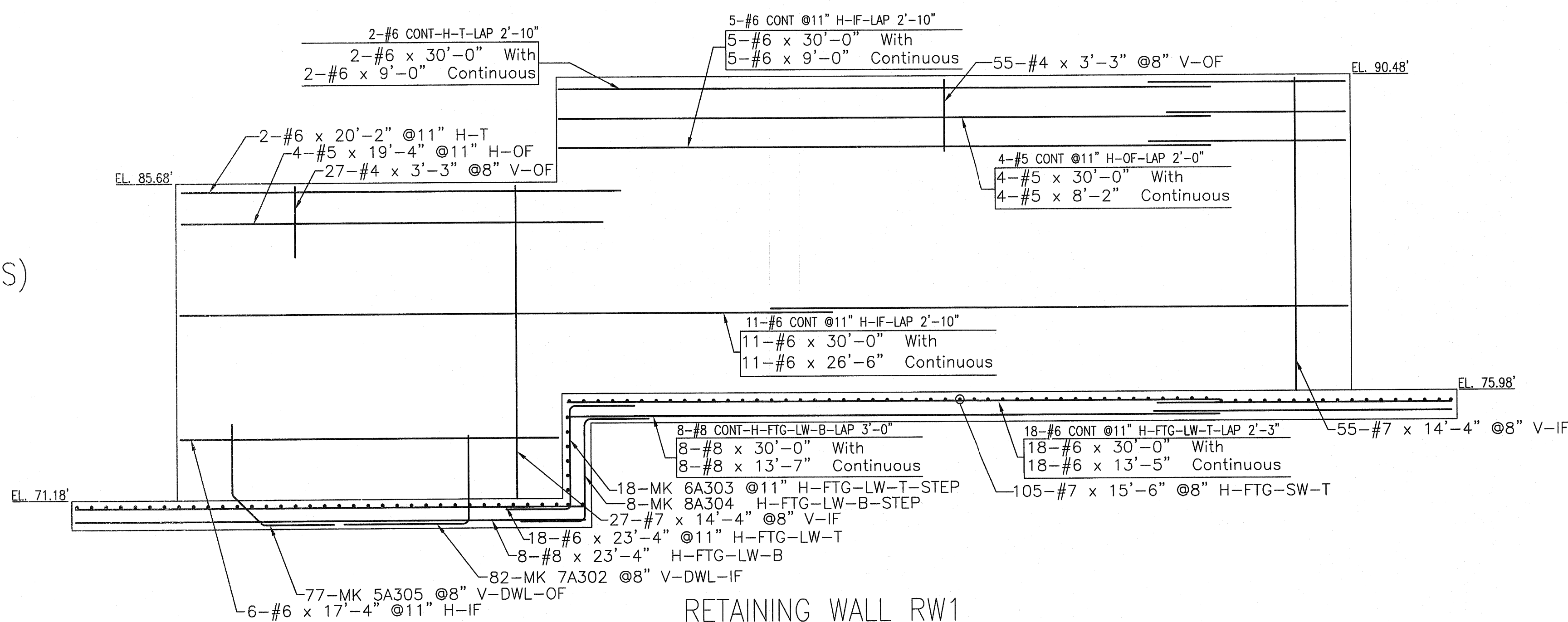
WALL W105
(STAIR #4)



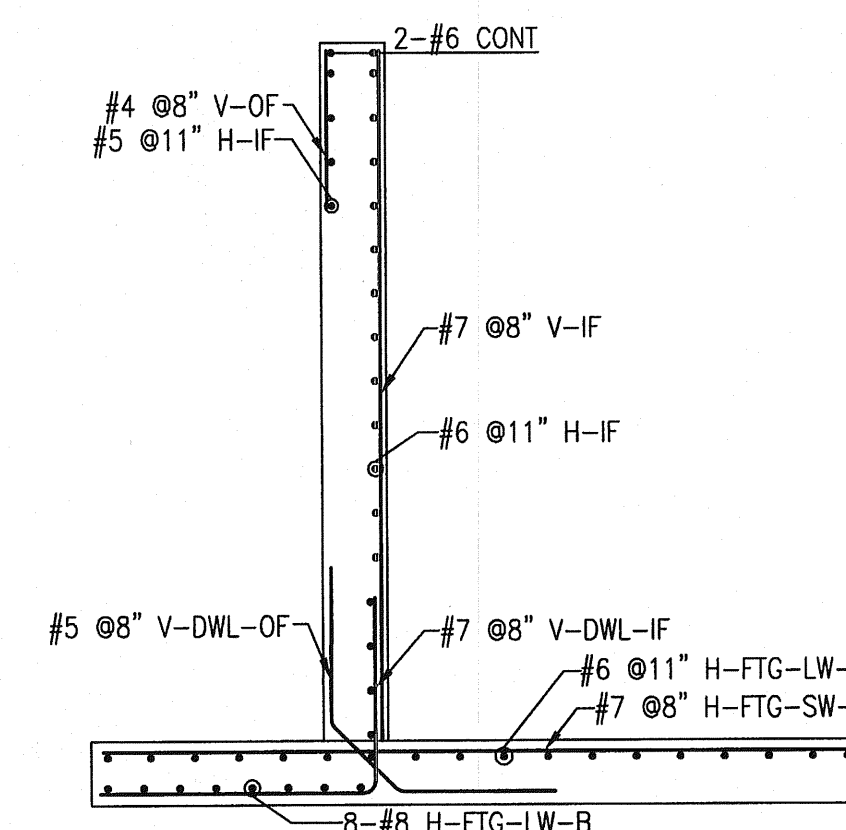
WALL W106
(STAIR #4)



WALL W107
(STAIR #4)



RETAINING WALL RW1



RETAINING WALL RW1

Release Code: SITE WORK REINFORCING BENDING DETAILS.

Bar Mark	Qty	Size	Total length	Type	'A'	'B'	'C'	'D'	'E'	'F'	'G'	'H'	'I'	'J'	'K'	'L'	'M'
4A35	#4	17	20'	20'													
4A232	#4	17	18'	18'													
4A233	#4	3	20'	33'								30'		12 1/2'		32 1/2'	
4A236	#4	3	20'	12 1/2'	20'							47 1/2'		15 1/2'		65 1/2'	
4A235	#4	11	60"	19 3/4'													
4A236	#4	15	60"	20 3/4'													
4A237	#4	11	60"	19 3/4'													
4A238	#4	3	21 1/2'	12 1/2'	66"							4 1/2'		112 1/2'		207 1/2'	
4A239	#4	3	21 1/2'	12 1/2'	11"							4 1/2'		112 1/2'		150 1/2'	
4A240	#4	3	20'	8 1/2'	20"							30 1/2'		75 1/2'		115 1/2'	
4A241	#4	3	20'	9 1/2'	20"							36 1/2'		88 1/2'		128 1/2'	
4A245	#4	3	37'	8 1/2'	4 1/2'							30 1/2'		75 1/2'		156 1/2'	
4A246	#4	3	20'	9 1/2'	4 1/2'							36 1/2'		88 1/2'		153 1/2'	
4A247	#4	3	20'	9 1/2'	6 1/2'							36 1/2'		88 1/2'		160 1/2'	
4A248	#4	3	20'	10 3/4'	20"							40 1/2'		91 1/2'		131 1/2'	
4A249	#4	3	20'	10 3/4'	9"							40 1/2'		91 1/2'		128 1/2'	
4A250	#4	11	5 10"	11 8"													
4A252	#4	3	5 3"	10 3/4'	9"							40 1/2'		91 1/2'		151 1/2'	
5A299	#5	17	10'	3 3"													
5A300	#5	17	3 3"	13 6"													
5A301	#5	17	3 9"	13 0"													
5A305	#5	3	3 2 1/2'	2 0"	2 0"	3-2 3/4 2 2'						23 1/2'		23 1/2'		6 7"	
6A303	#6	20	3 0"	4 9 1/2'	3 0"												
7A302	#7	17	4 7"	5 9"													
8A304	#8	20	3 0"	4 9 1/2'	3 0"												

