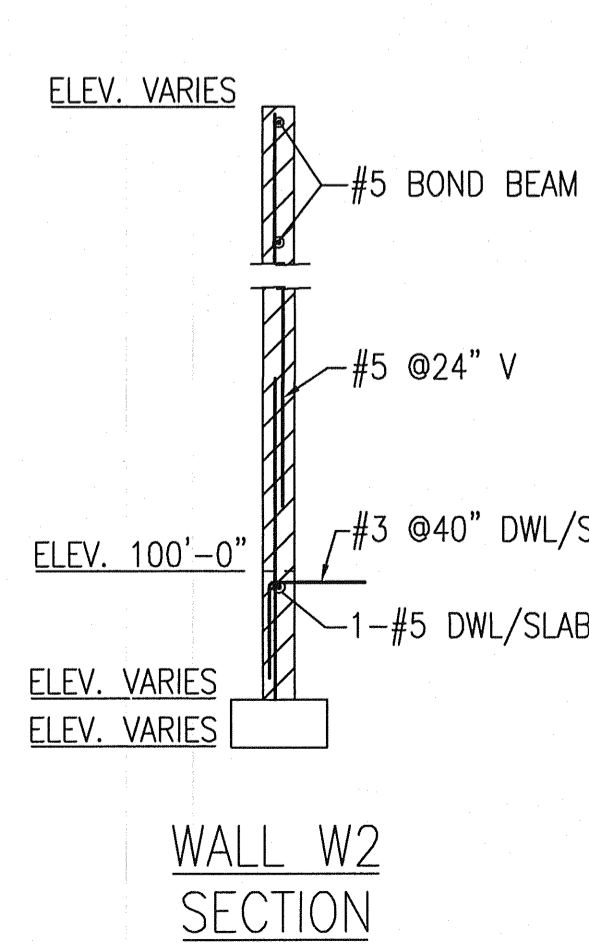
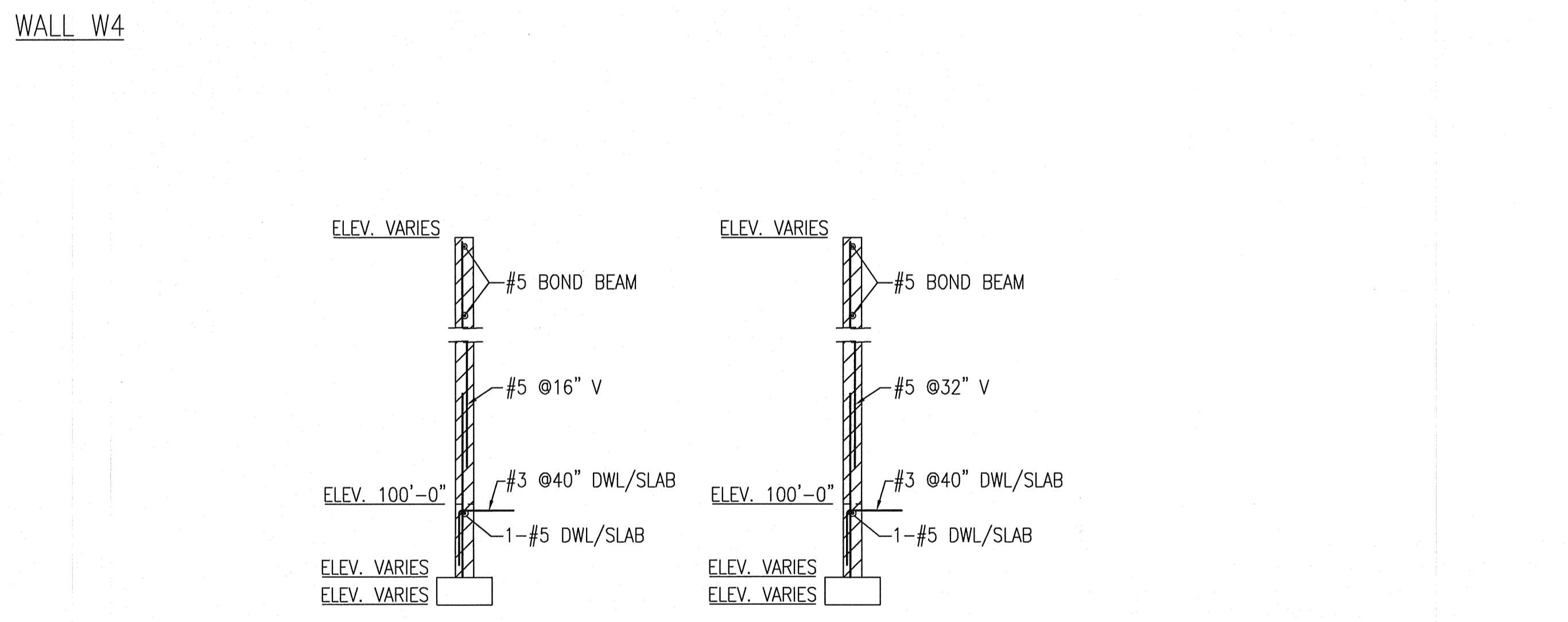
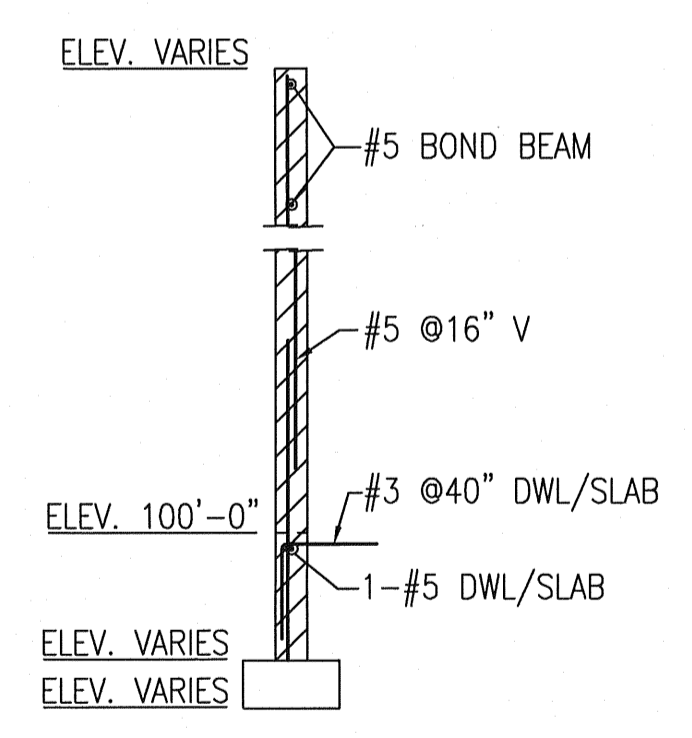


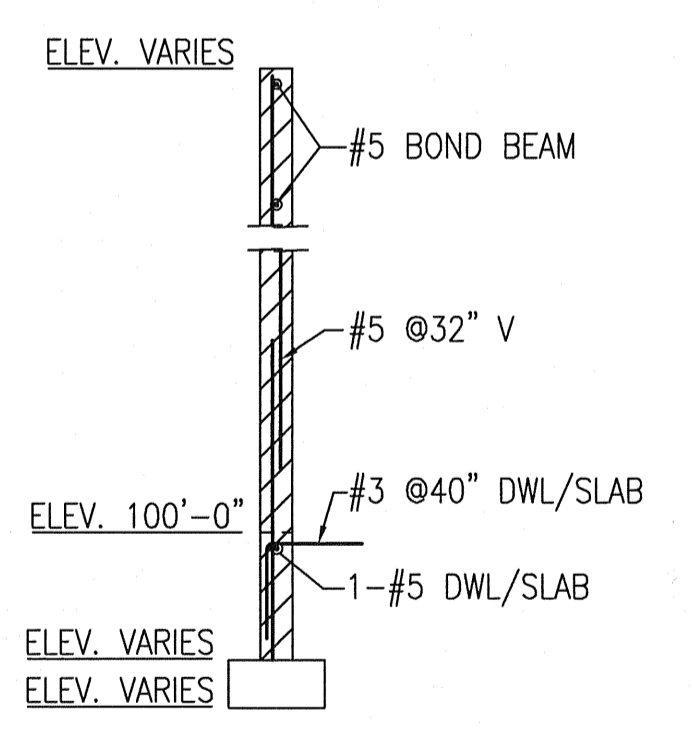
WALL W3
(2 LOCATIONS-ONE OPP. HAND)



WALL W2
SECTION



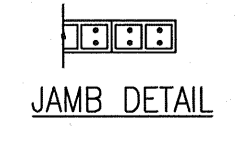
WALLS W3-W4
SECTION



WALL W2
SECTION

NOTES:
N1) PLACE VERTICAL MASONRY REINFORCEMENT ONE ON EACH SIDE OF CONTROL JOINTS.
N2) WALL OPENINGS
UP TO 3'-4" = 2 #5 V EA SIDE
UP TO 4'-4" = 4 #5 V EA SIDE
UP TO 6'-0" = 8 #5 V EA SIDE
UP TO 8'-0" = 10 #5 V EA SIDE
UP TO 12'-1" = 16 #5 V EA SIDE
OVER 12'-1" = 18 #5 V EA SIDE

(2 #5 PER CELL)



JAMB DETAIL