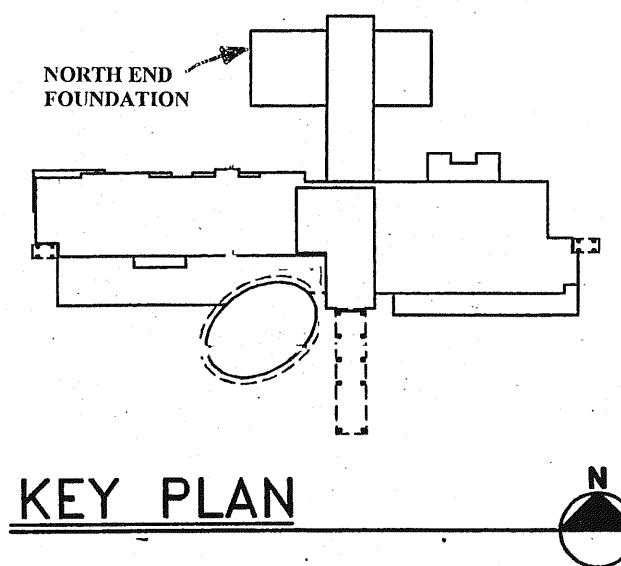


NORTH END FOUNDATION PLAN



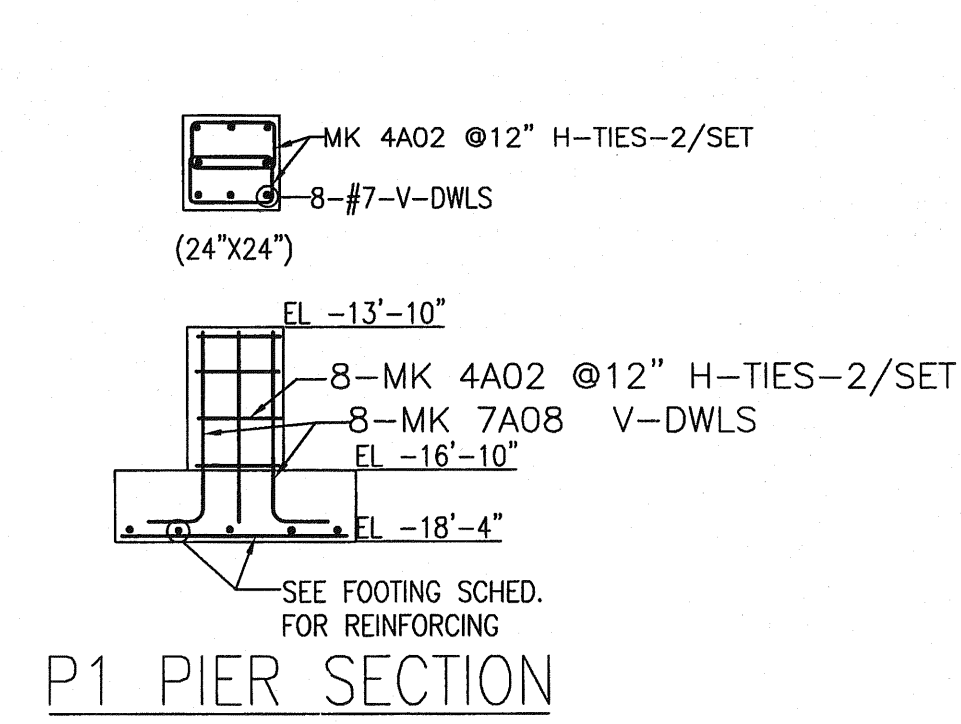
KEY PLAN

FOOTING SCHEDULE

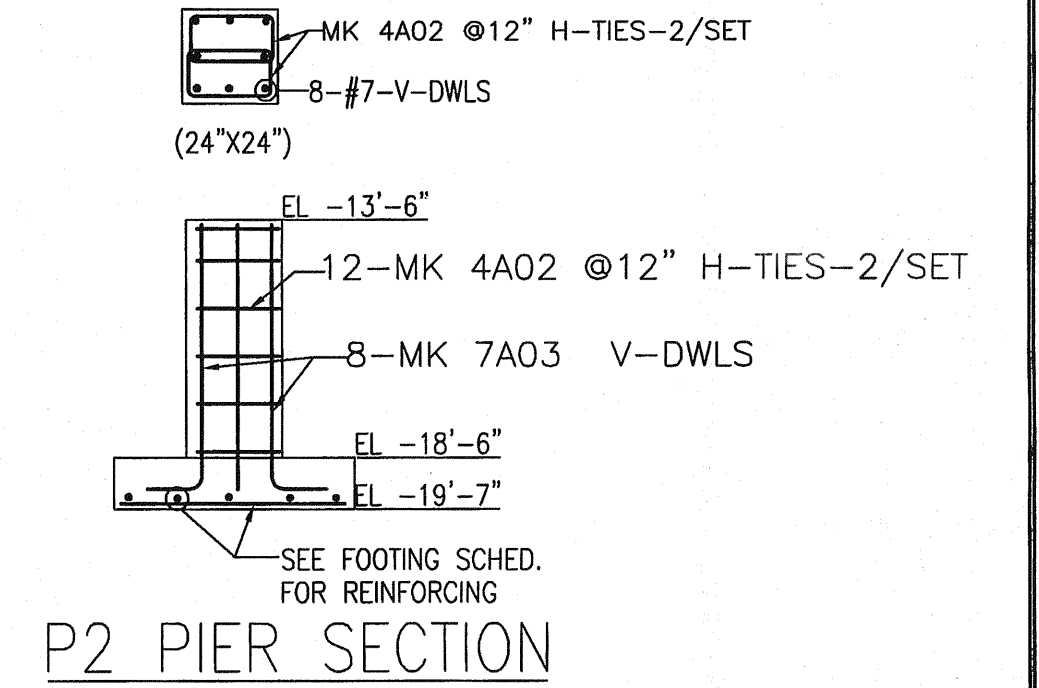
MARK	REINFORCING
A	3x12-#4 x 3'-6" 6EW-B
C	11x14-#4 x 4'-6" 7EW-B
D	3x12-#5 x 5'-0" 6EW-B
E	4x14-#5 x 5'-6" 7EW-B
F	12-#6 x 6'-0" 6EW-B
G	3x12-#6 x 6'-6" 6EW-B
H	2x14-#6 x 7'-0" 7EW-B
O	20-#7 x 10'-0" 10EW-B
Q	24-#8 x 12'-6" 12EW-B

SLAB SCHEDULE

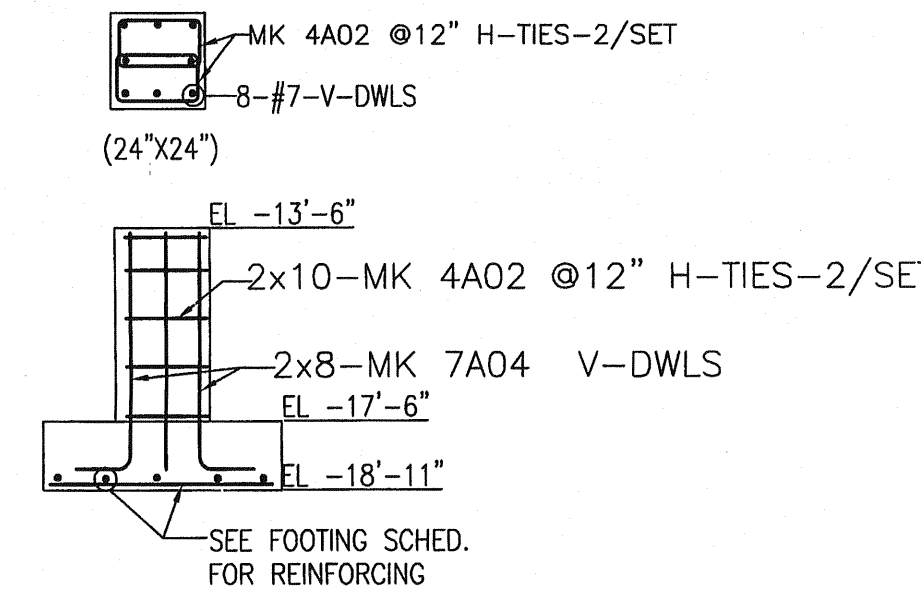
MARK	REINFORCING
S1	2-#4 x 4'-0" H
S2	5-#6 x 7'-0" @12" LW-B 8-#6 x 4'-0" @12" SW-B



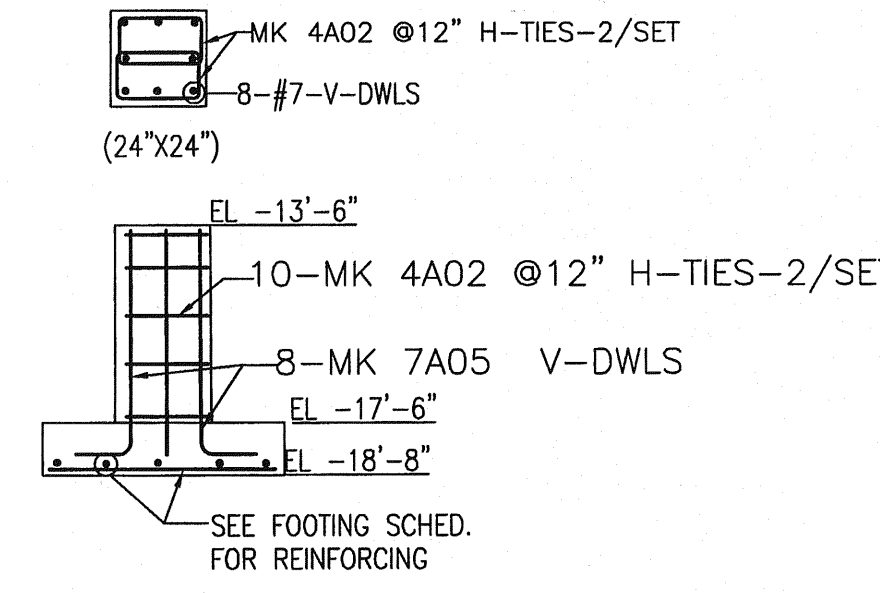
P1 PIER SECTION



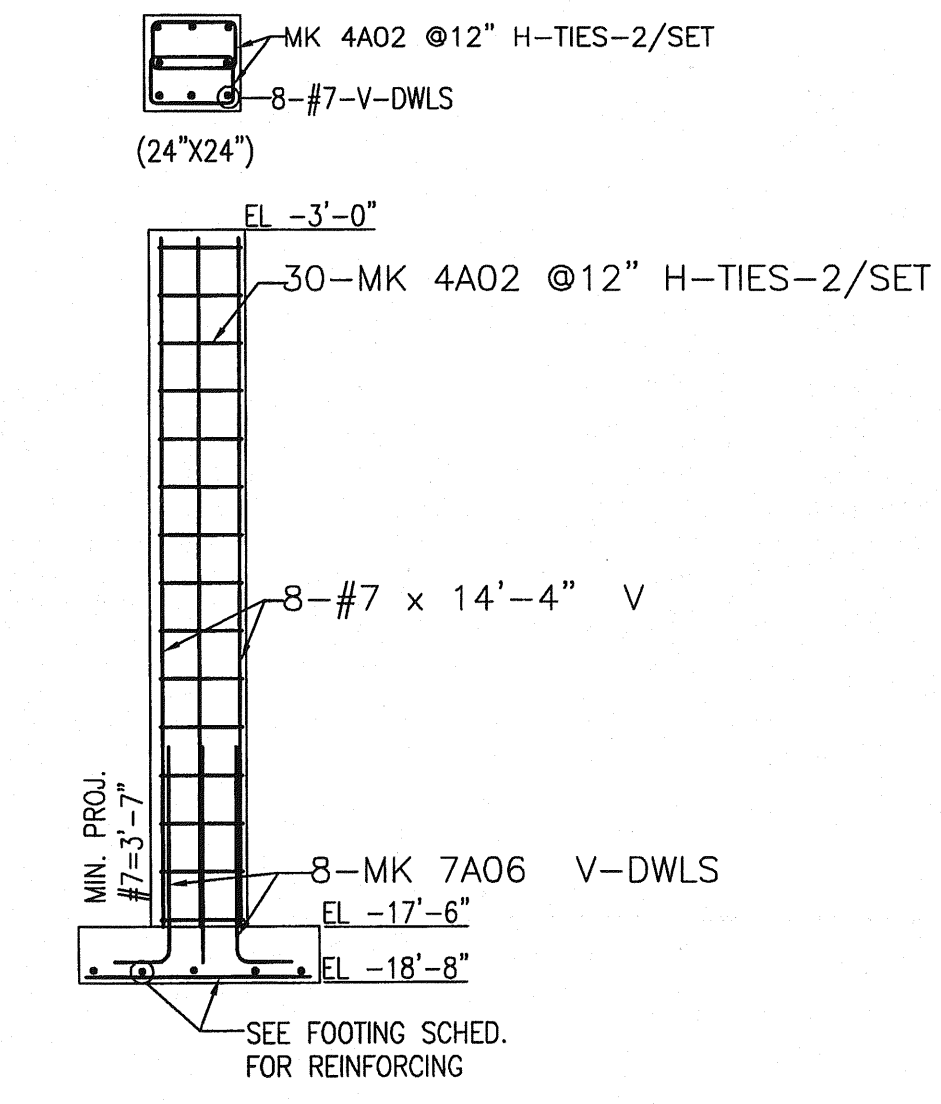
P2 PIER SECTION



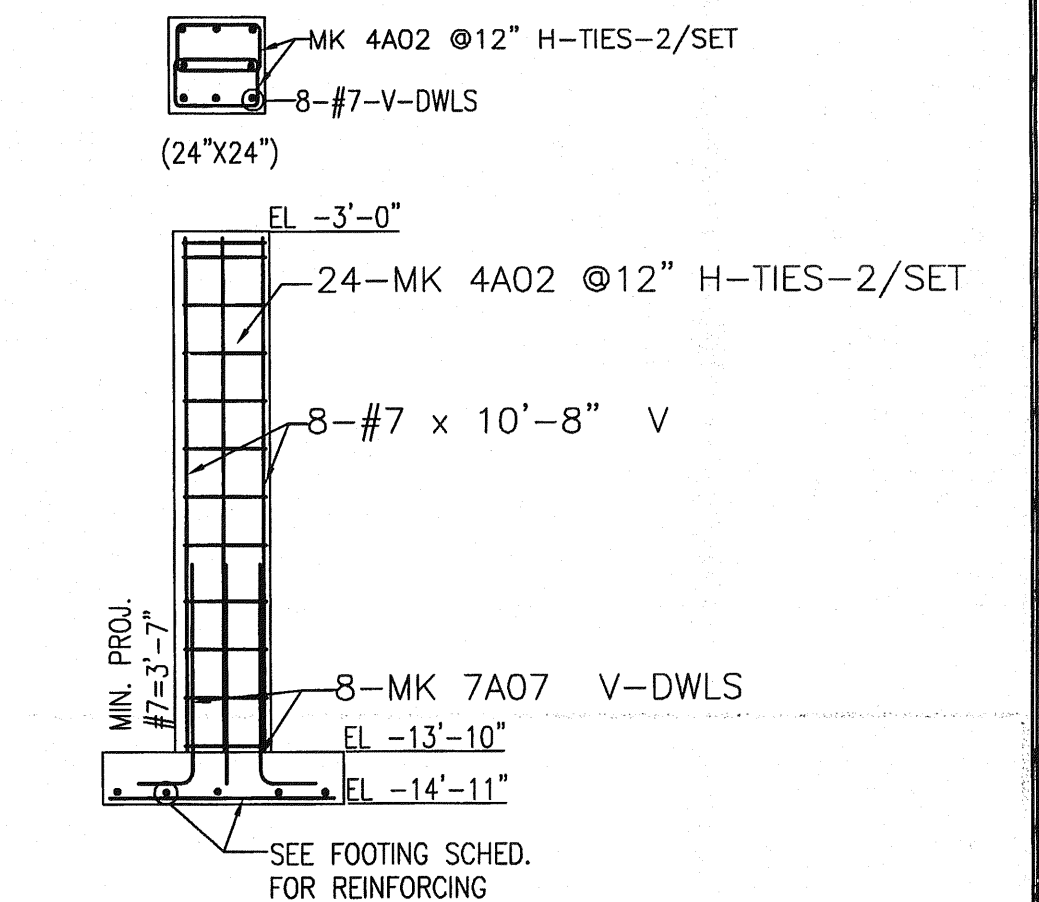
**P2A PIER SECTION
(2 LOCATIONS)**



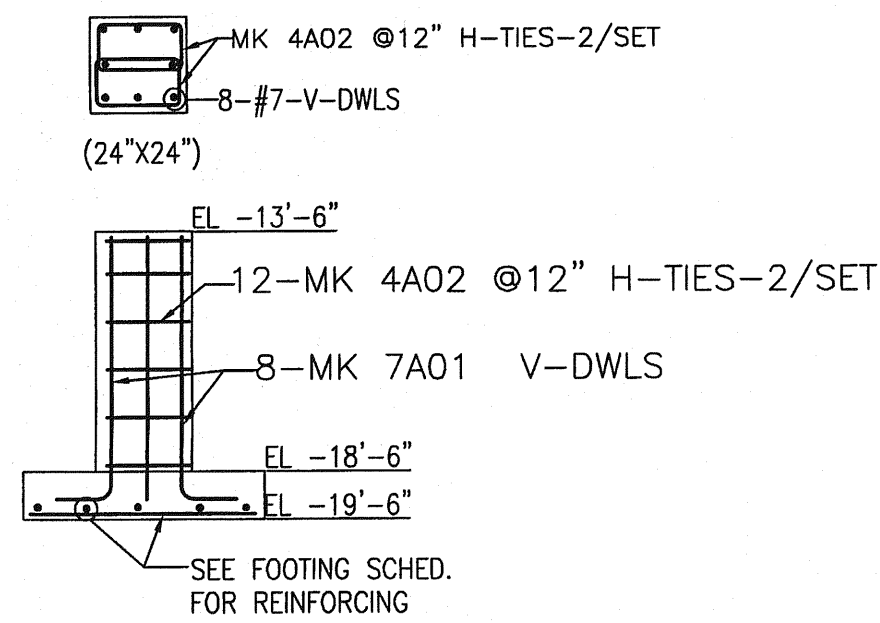
P2B PIER SECTION



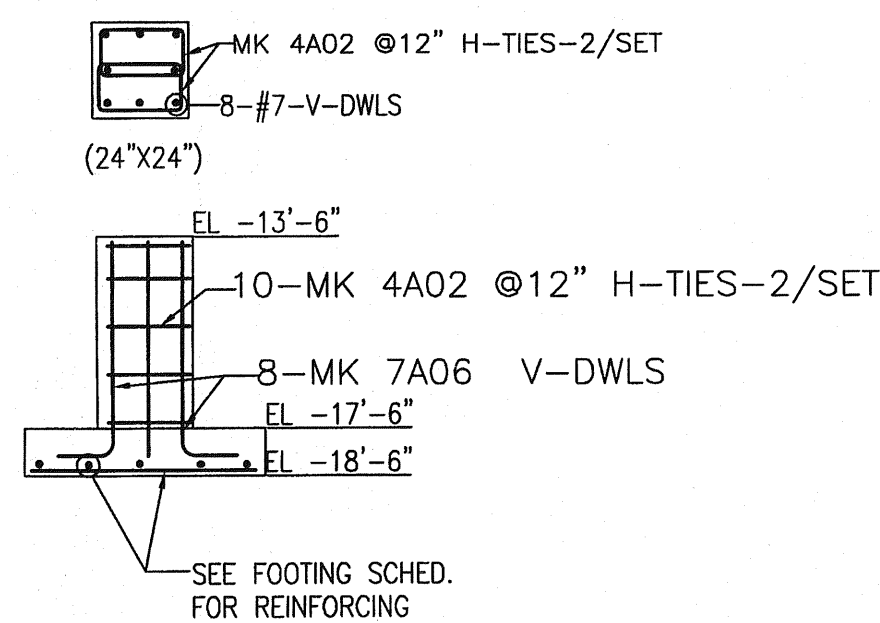
P2C PIER SECTION



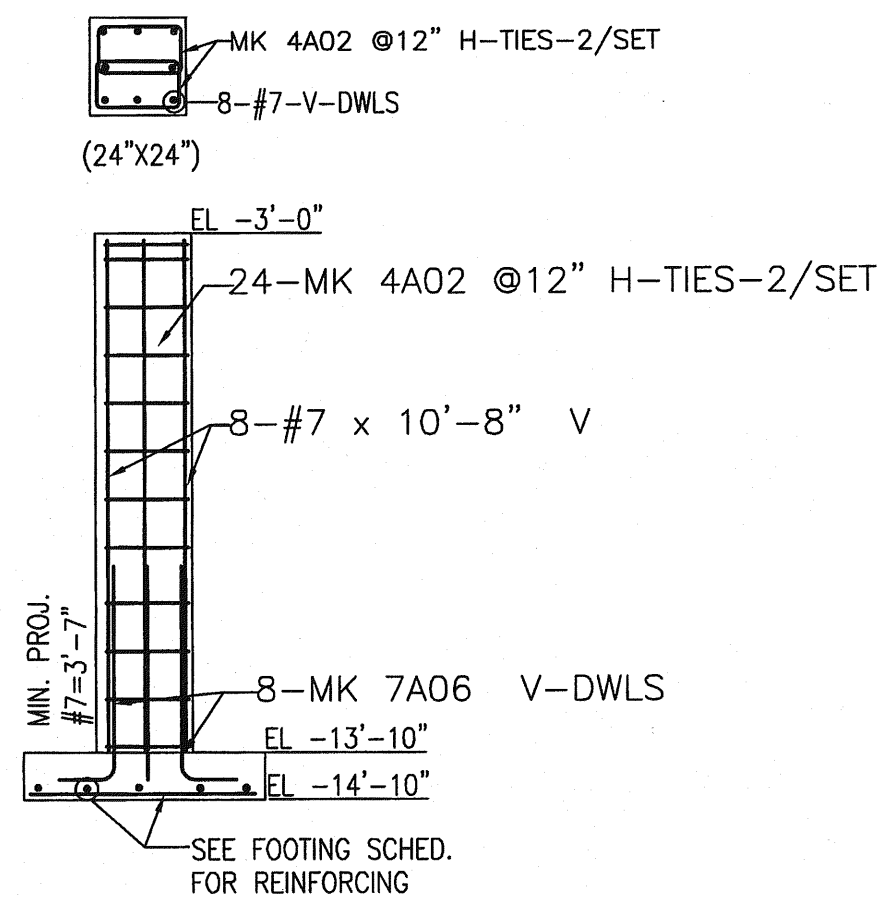
P2D PIER SECTION



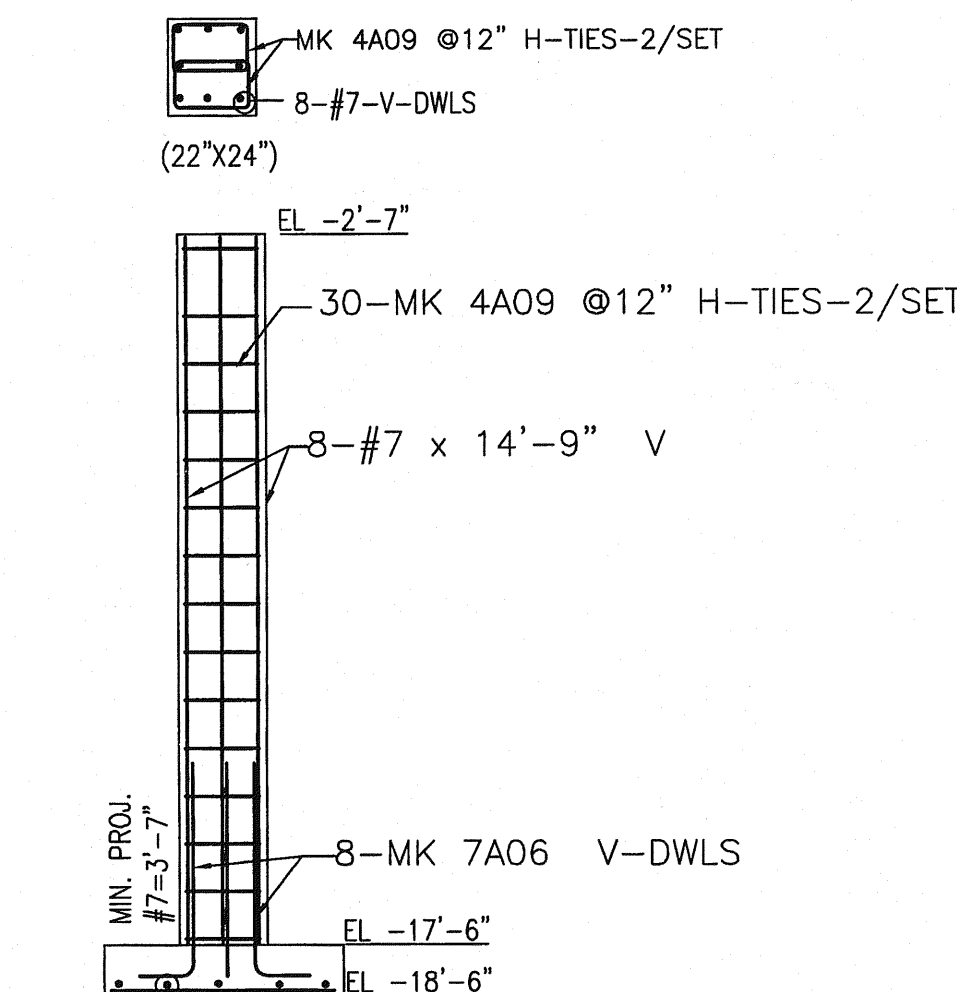
P3 PIER SECTION



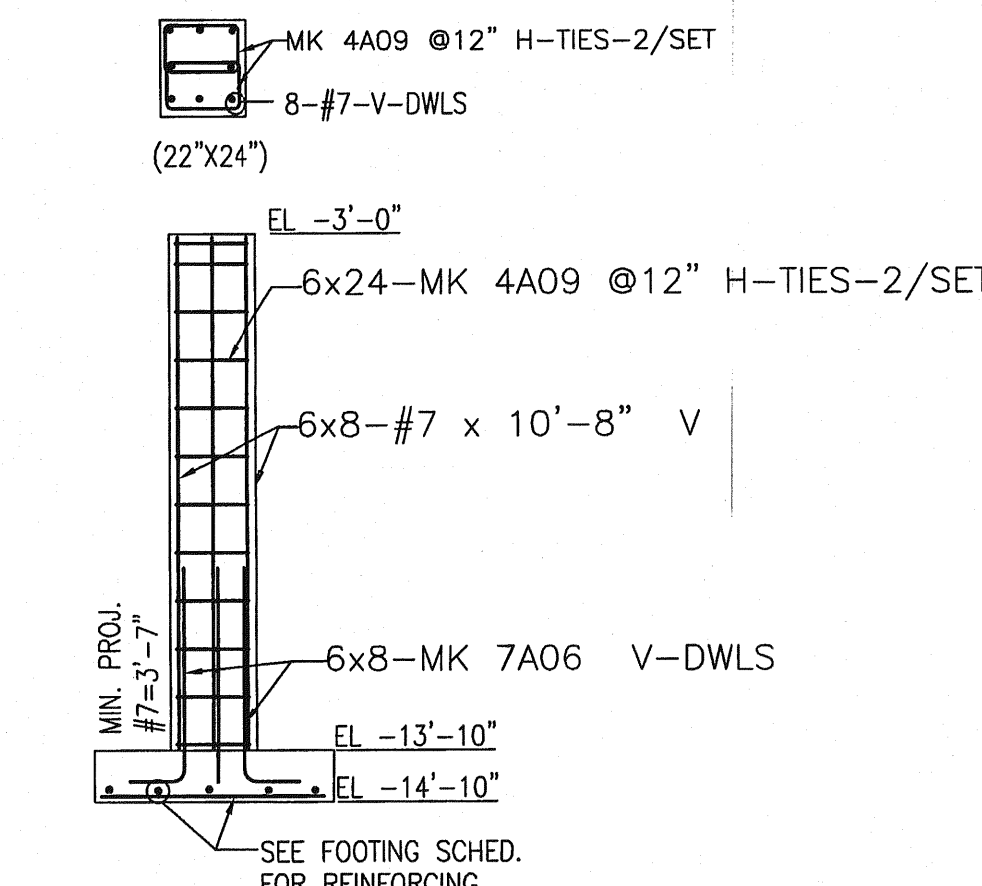
P3A PIER SECTION



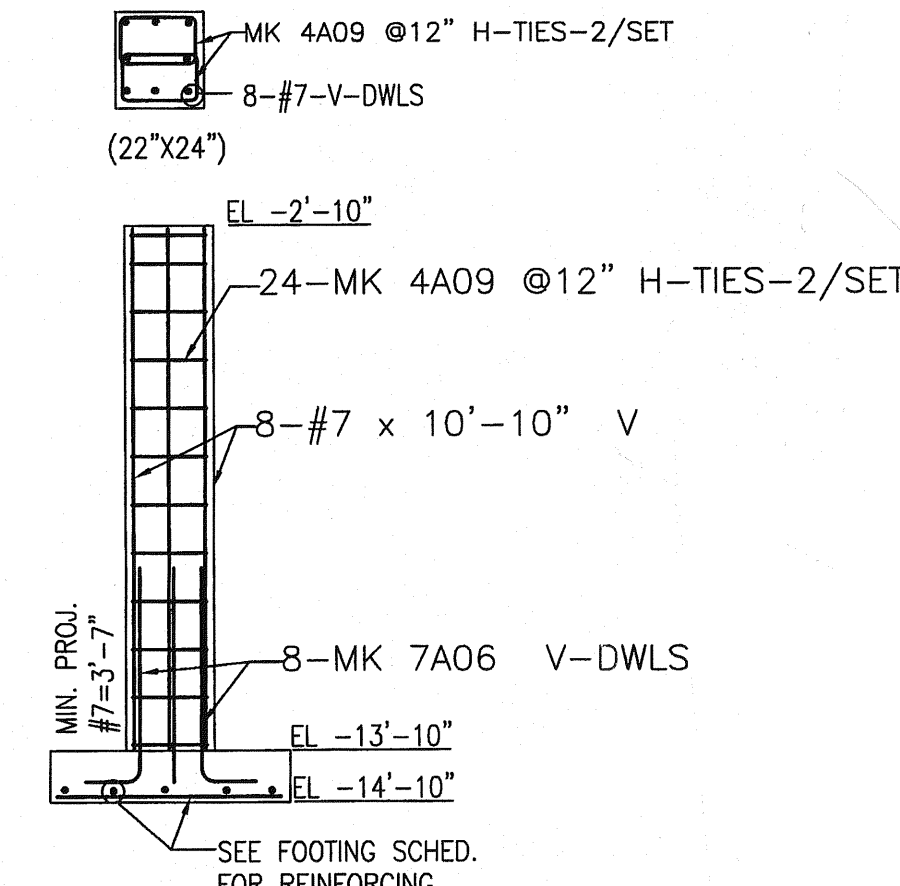
P3B PIER SECTION



P8 PIER SECTION



**P8A PIER SECTION
(6 LOCATIONS)**



P8B PIER SECTION