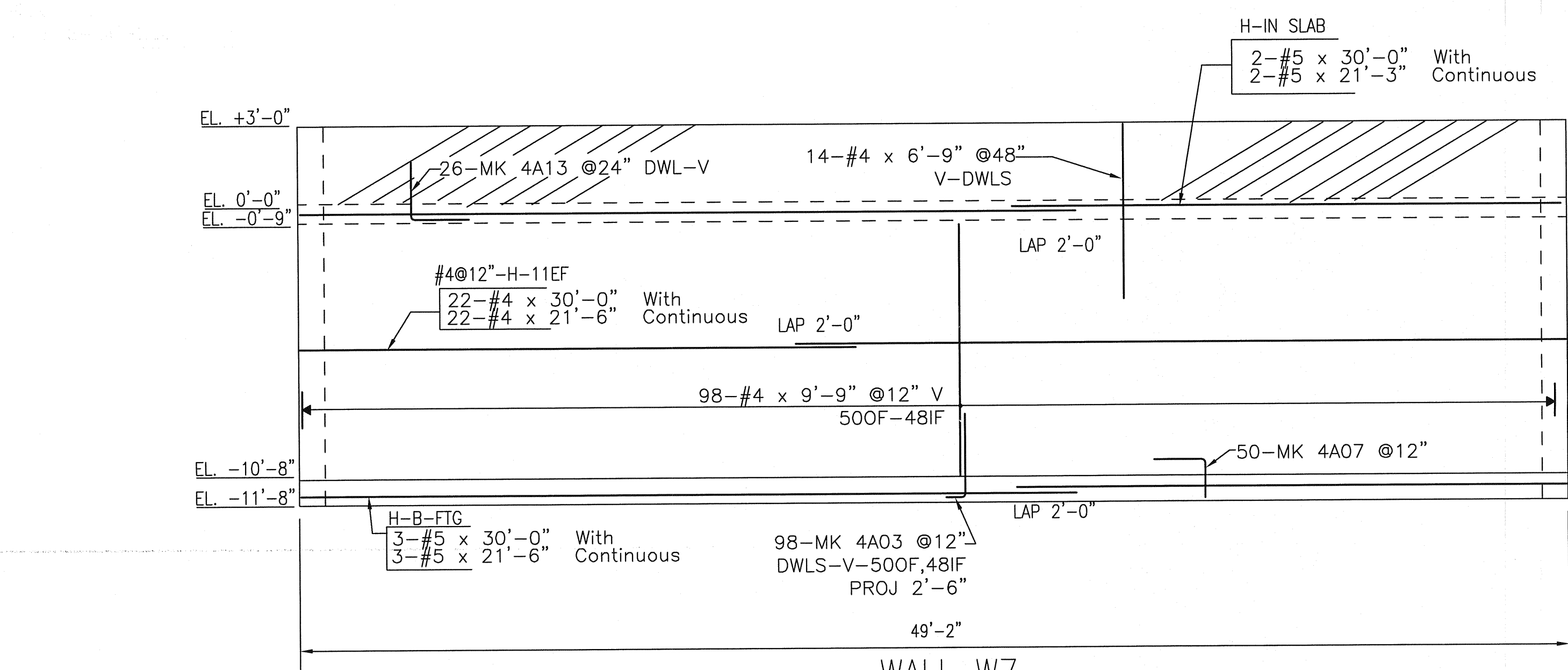
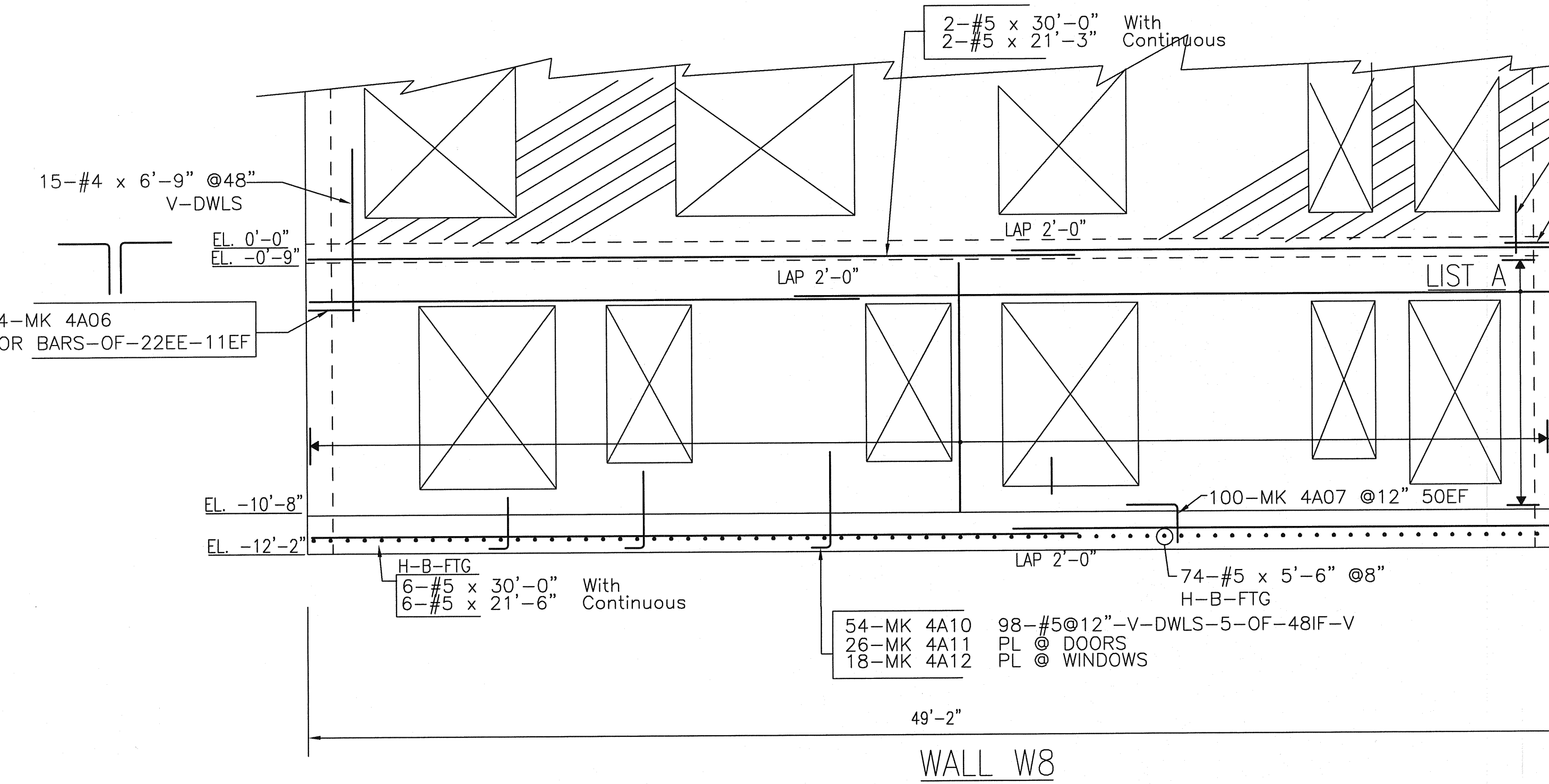


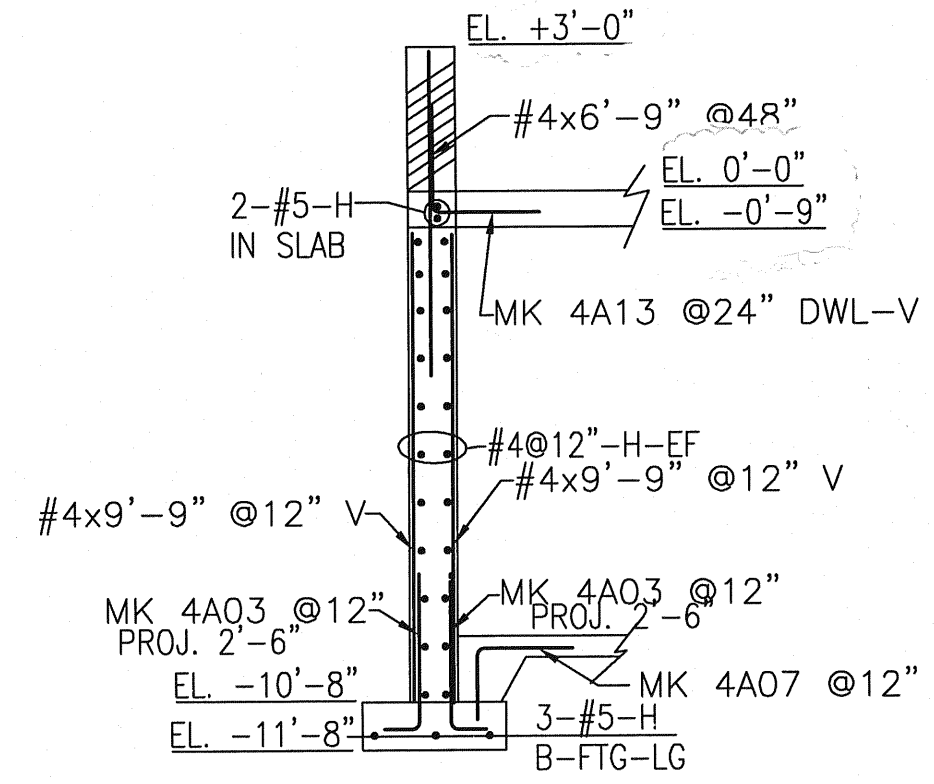
WALL W6



WALL W7



WALL W8



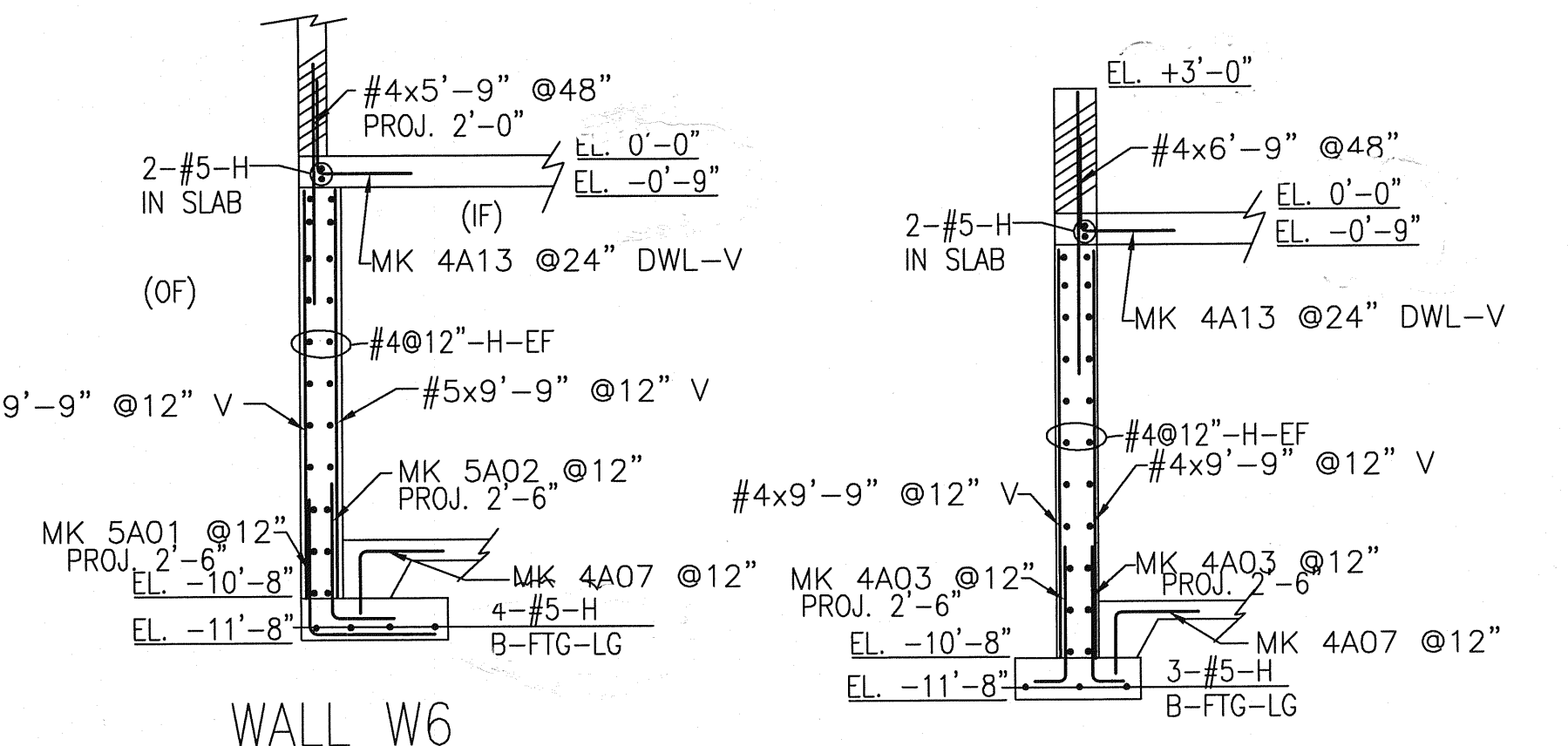
WALL W7

LIST A

4-#4 x 30'-0"	22-#4@12"-H-11EF
4-#4 x 21'-6"	PL B TO T
2-#4 x 4'-1"	L4 RUNS
2-#4 x 17'-4"	2 RUNS
2-#4 x 10'-4"	
2-#4 x 2'-0"	
10-#4 x 4'-1"	10 RUNS
10-#4 x 1'-8"	
10-#4 x 6'-6"	
10-#4 x 1'-8"	
10-#4 x 6'-6"	
10-#4 x 1'-4"	
10-#4 x 2'-0"	
6-#4 x 30'-0"	6 RUNS
6-#4 x 21'-6"	

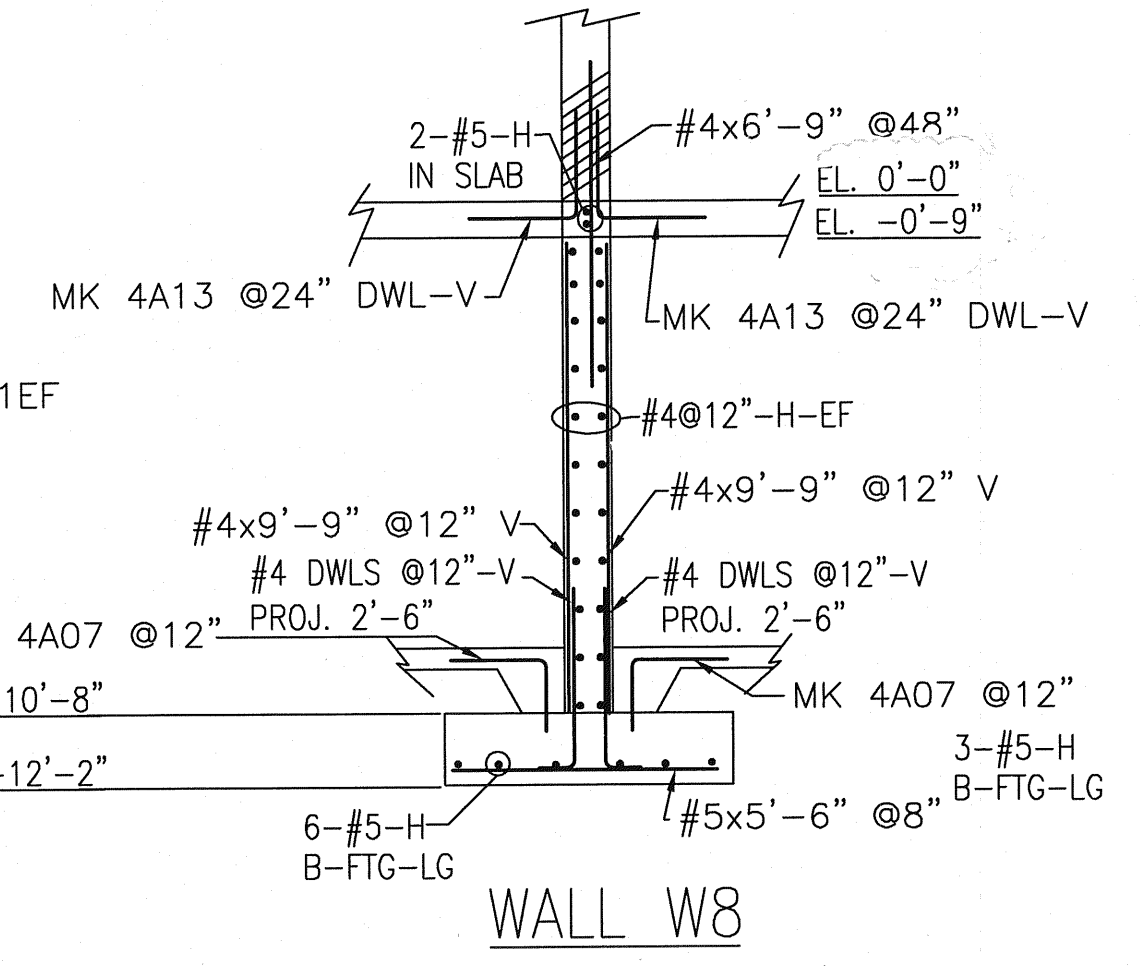
54-#4 x 9'-9" @12" 98-#4@12"-V-500F-48IF
 44-#4 x 1'-5" @12" PL ABOVE OPENINGS

NOTE 2 THUS ENTIRE DRAWING:
 1 THUS BUILDING A
 1 THUS BUILDING B



WALL W6 (SECTION A)

WALL W6 (SECTION B)



WALL W8

The full intent and purpose of this drawing is the placing and fabrication of reinforcing steel bars ONLY. It is NOT to be used as a means of communication between the Architect, Engineer, Contractor or any other sub-trade.

Reinforcing steel placing drawings only. Use in conjunction with contract drawings & specifications. Elevation & dimensions shown on this drawing are for detailing purposes only and should not be used for construction unless verified by engineer or contractor.