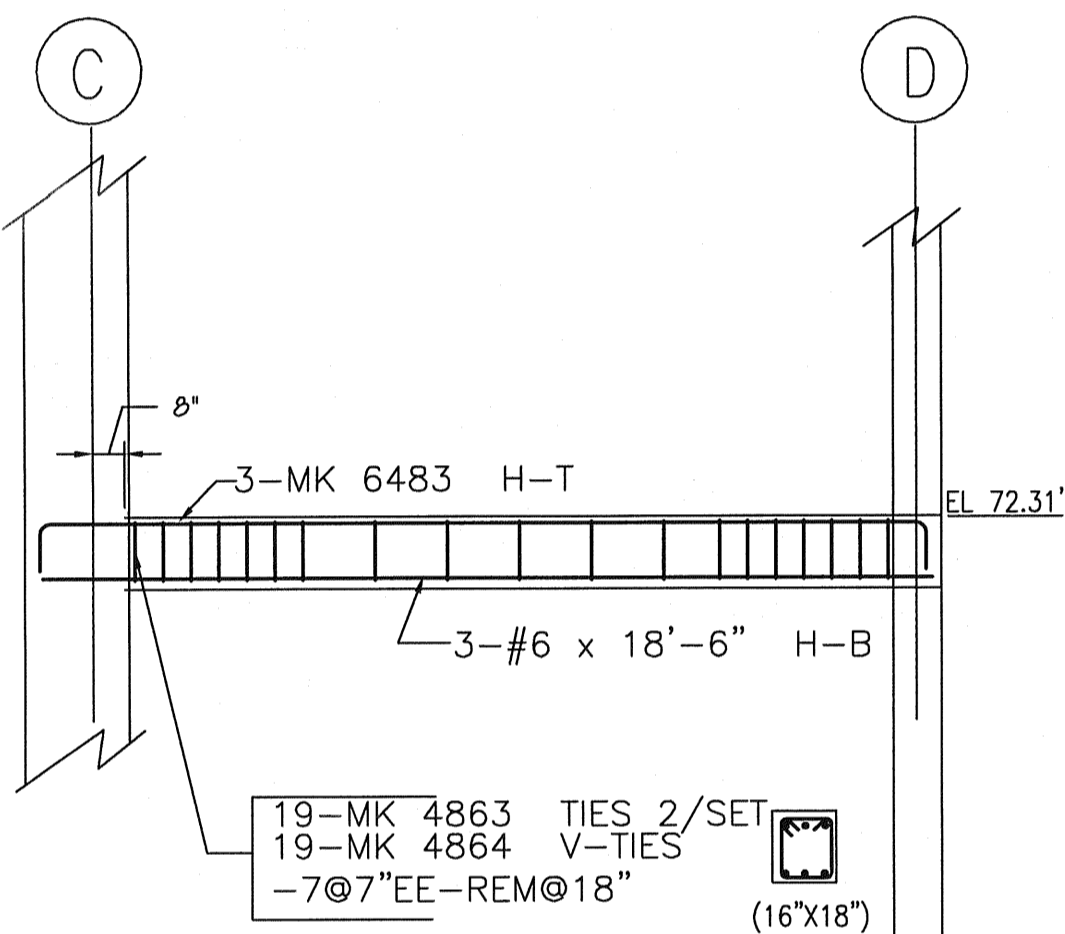
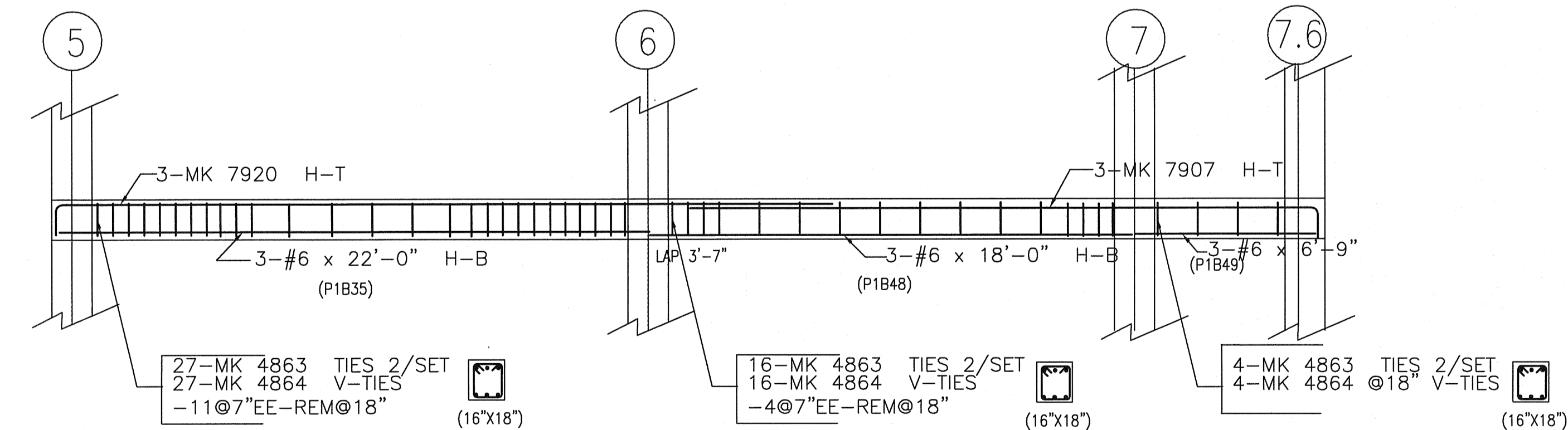


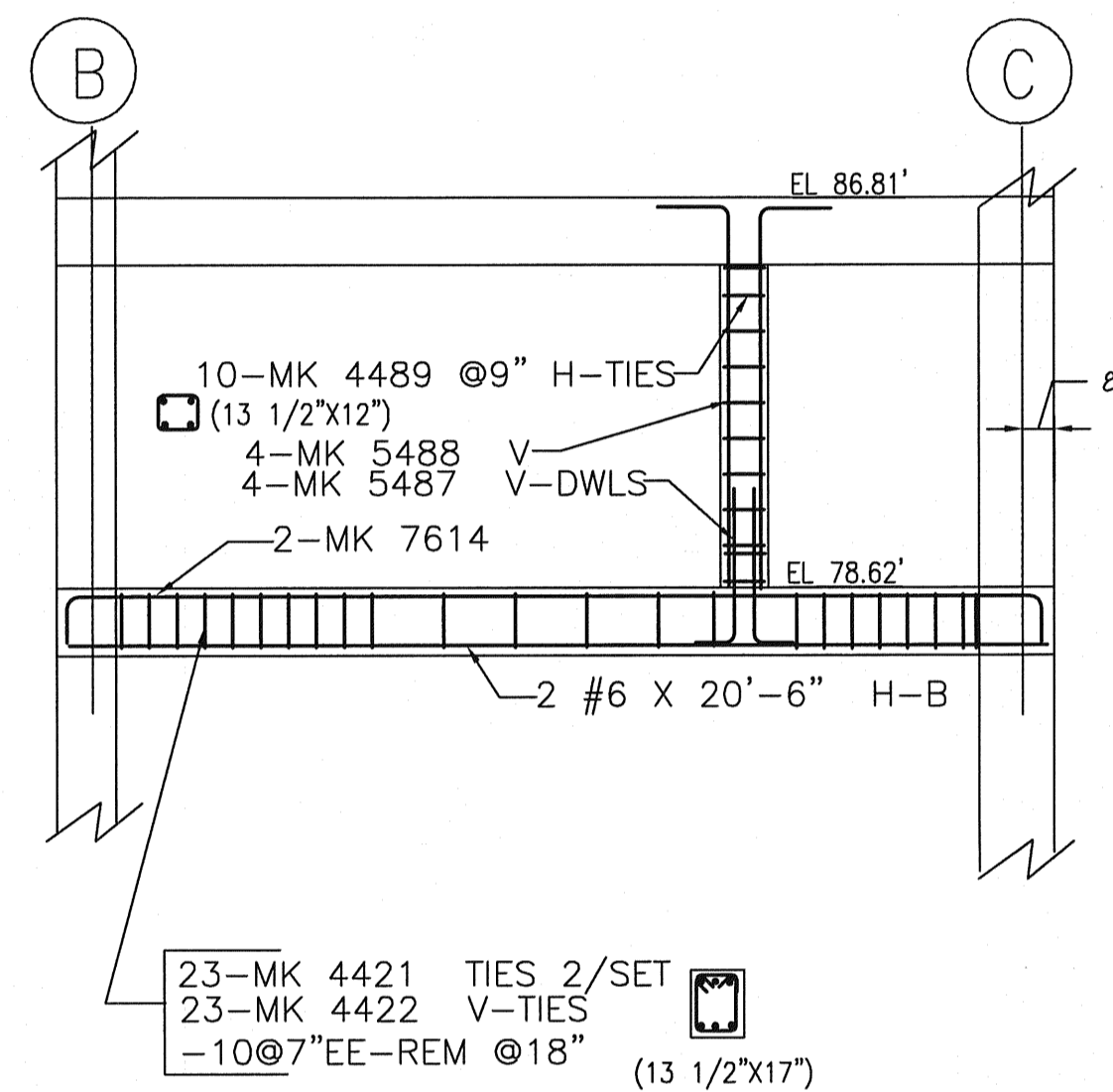
P1B3 BEAM ELEVATION
POUR-2



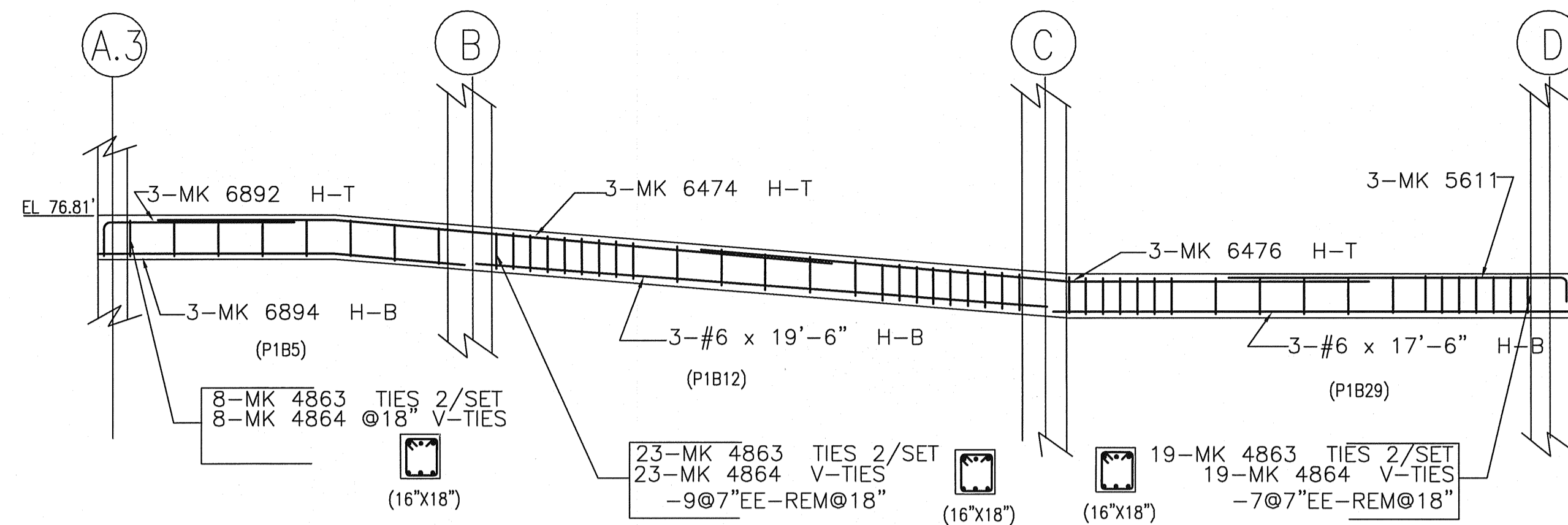
P1B27 BEAM ELEVATION
POUR-2



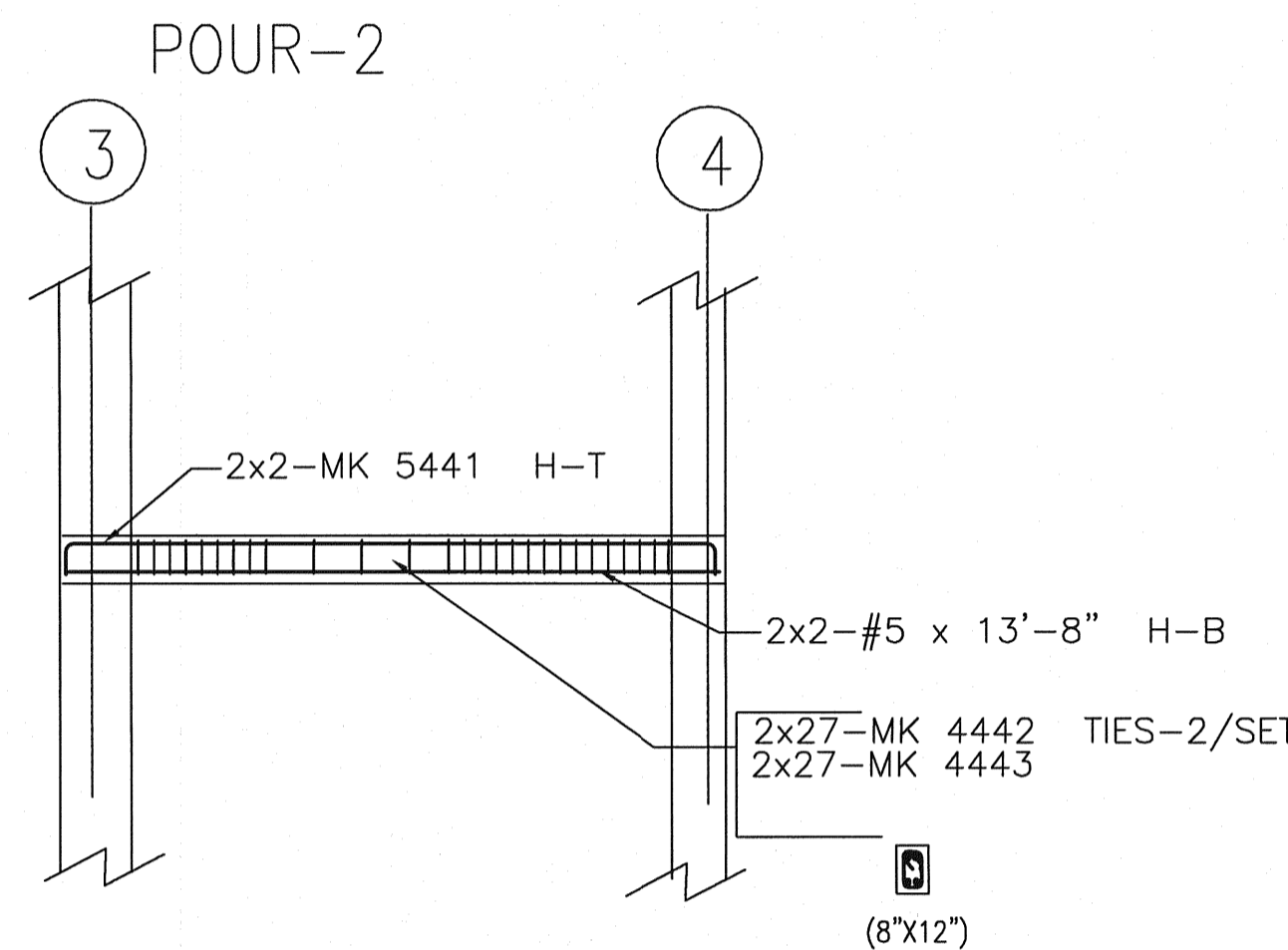
P1B35, P1B48 & P1B49 BEAM ELEVATION
POUR-2



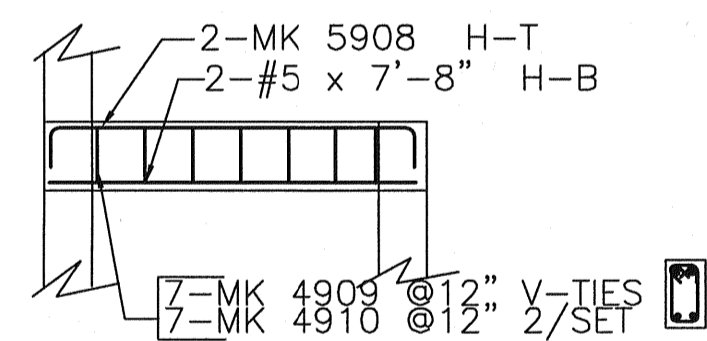
P1B8 BEAM ELEVATION
POUR-2



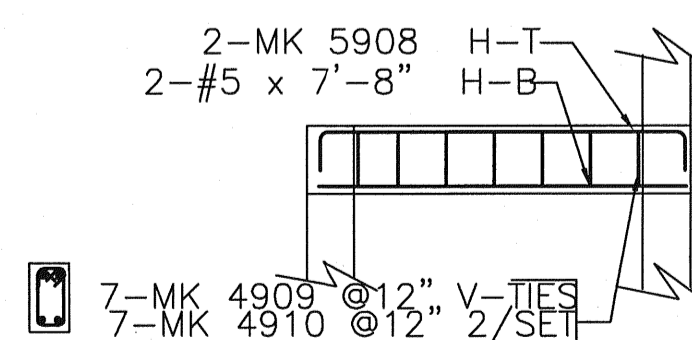
P1B5, P1B12 & P1B29 BEAM ELEVATION
POUR-2



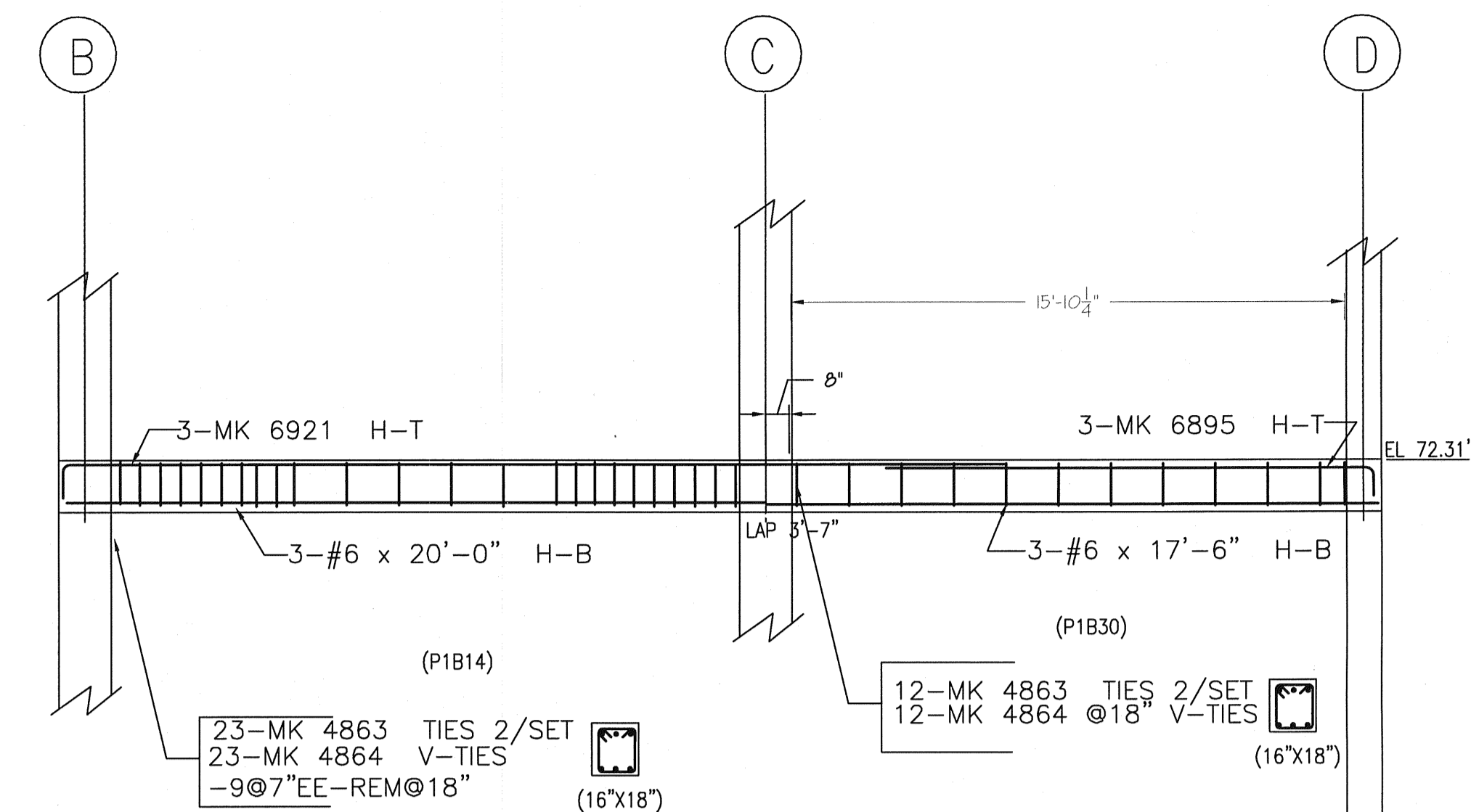
P1B46 BEAM ELEVATION
P1B47 BEAM ELEVATION
(2 LOCATIONS)
POUR-2



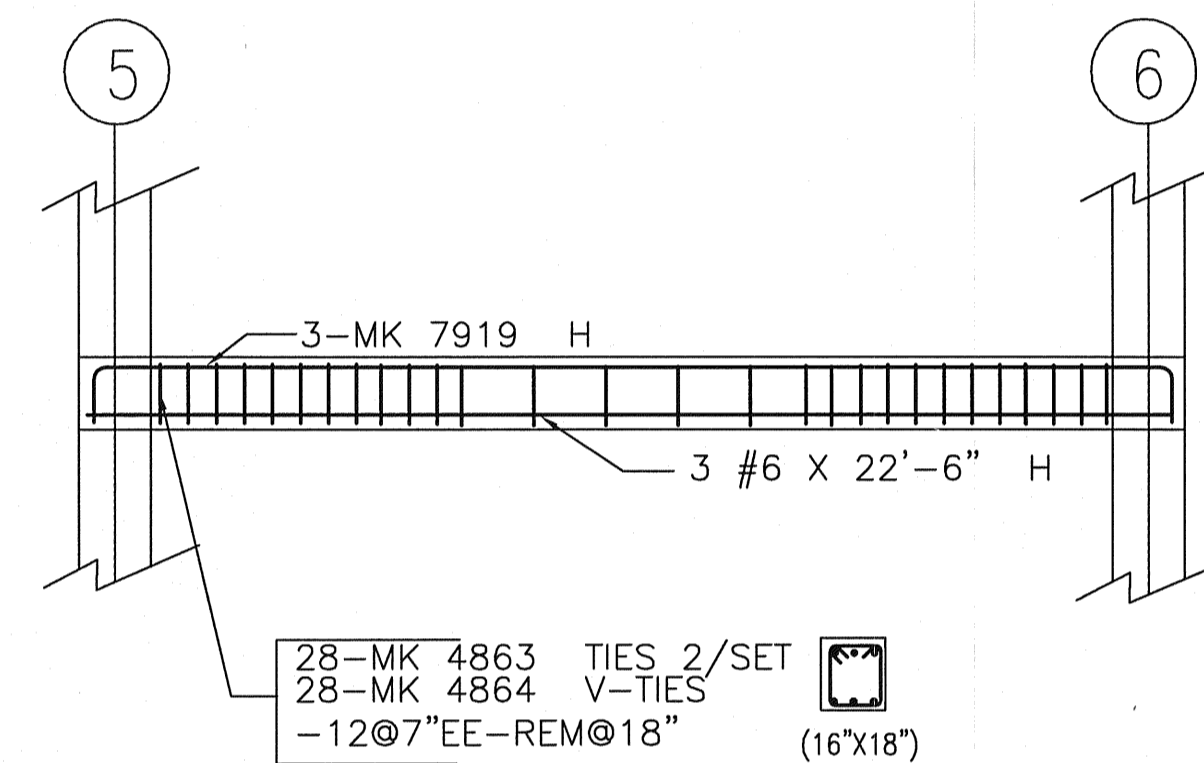
P1B60 BEAM ELEVATION
POUR-2



P1B61 BEAM ELEVATION
POUR-2



P1B14 & P1B30 BEAM ELEVATION
POUR-2



P1B45 BEAM ELEVATION
POUR-2

The full intent and purpose of this drawing is the placing and fabrication of reinforcing steel bars ONLY. It is NOT to be used as a means of communication between the Architect, Engineer, Contractor or any other sub-trade.

Reinforcing steel placing drawings only. Use in conjunction with contract drawings & specifications. Elevation & dimensions shown on this drawing are for detailing purposes only and should not be used for construction unless verified by engineer or contractor.